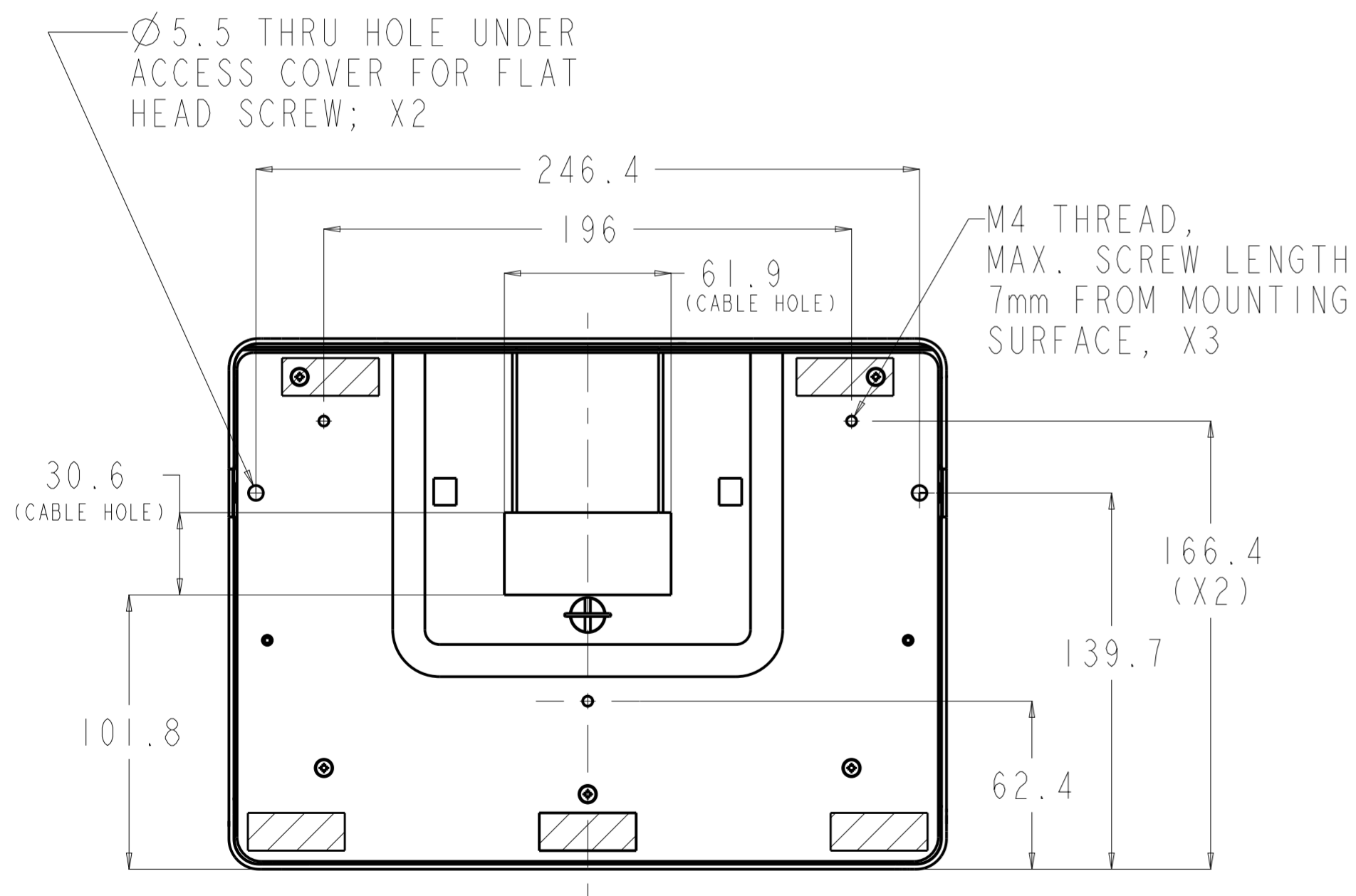
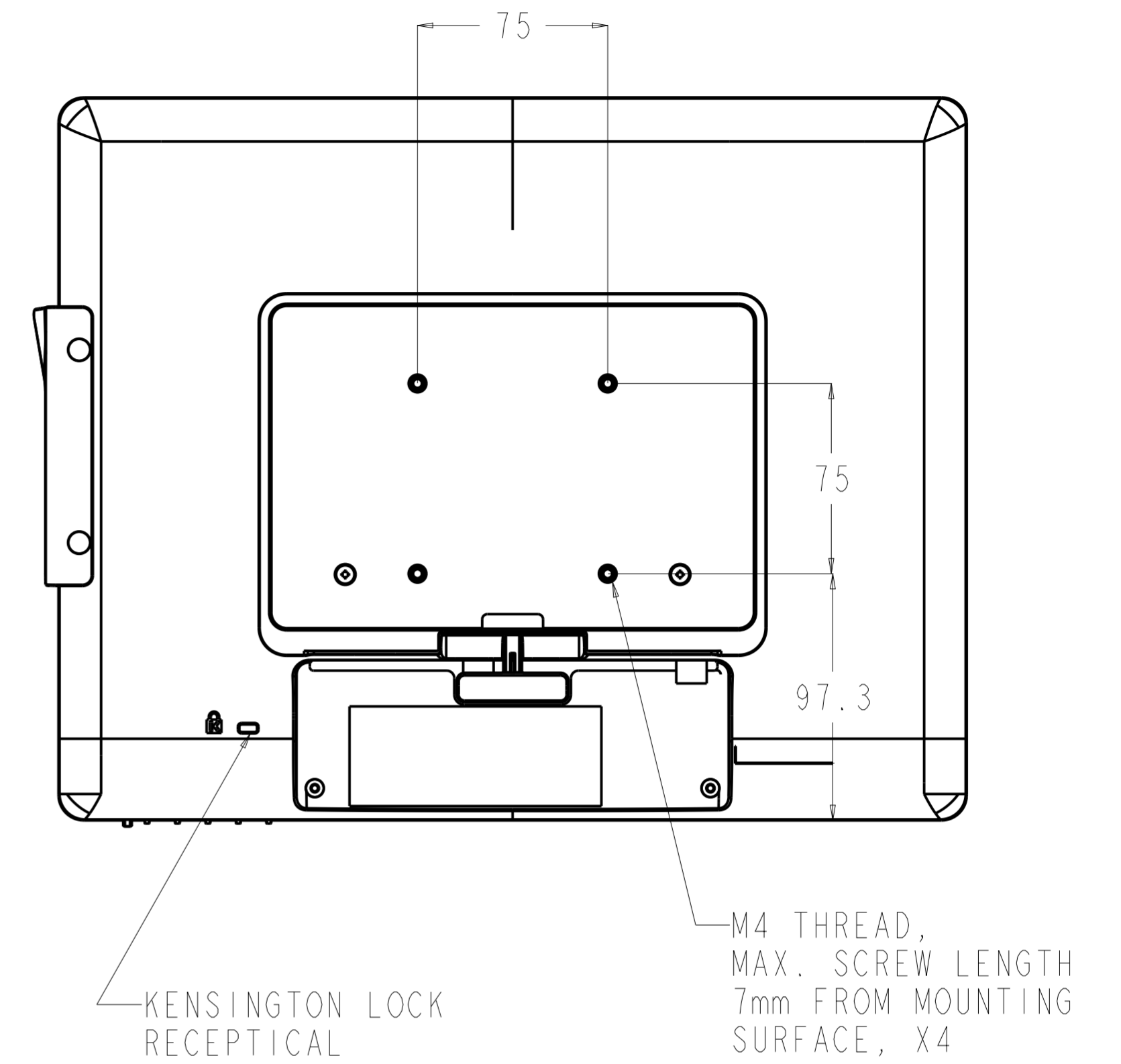
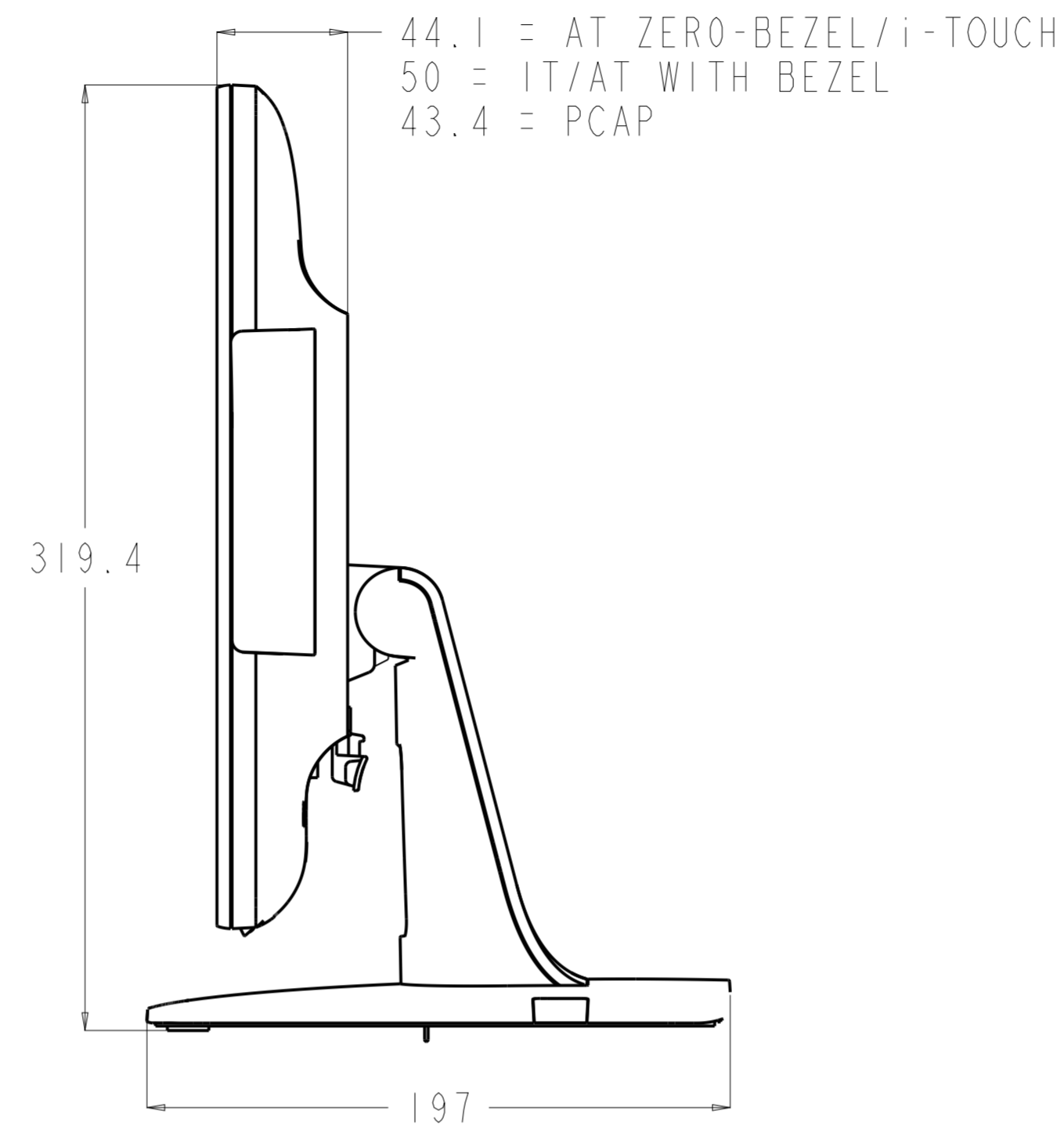
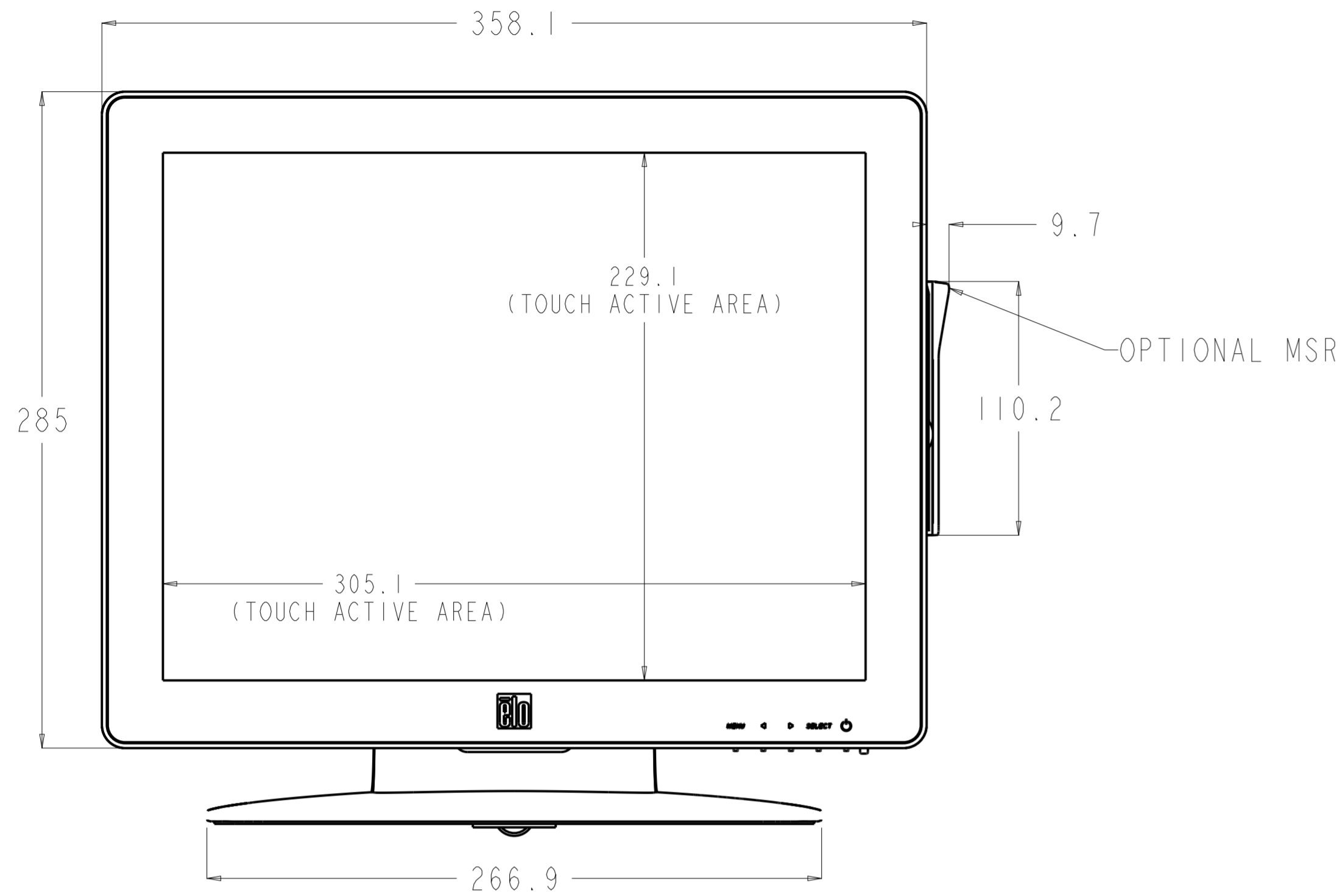
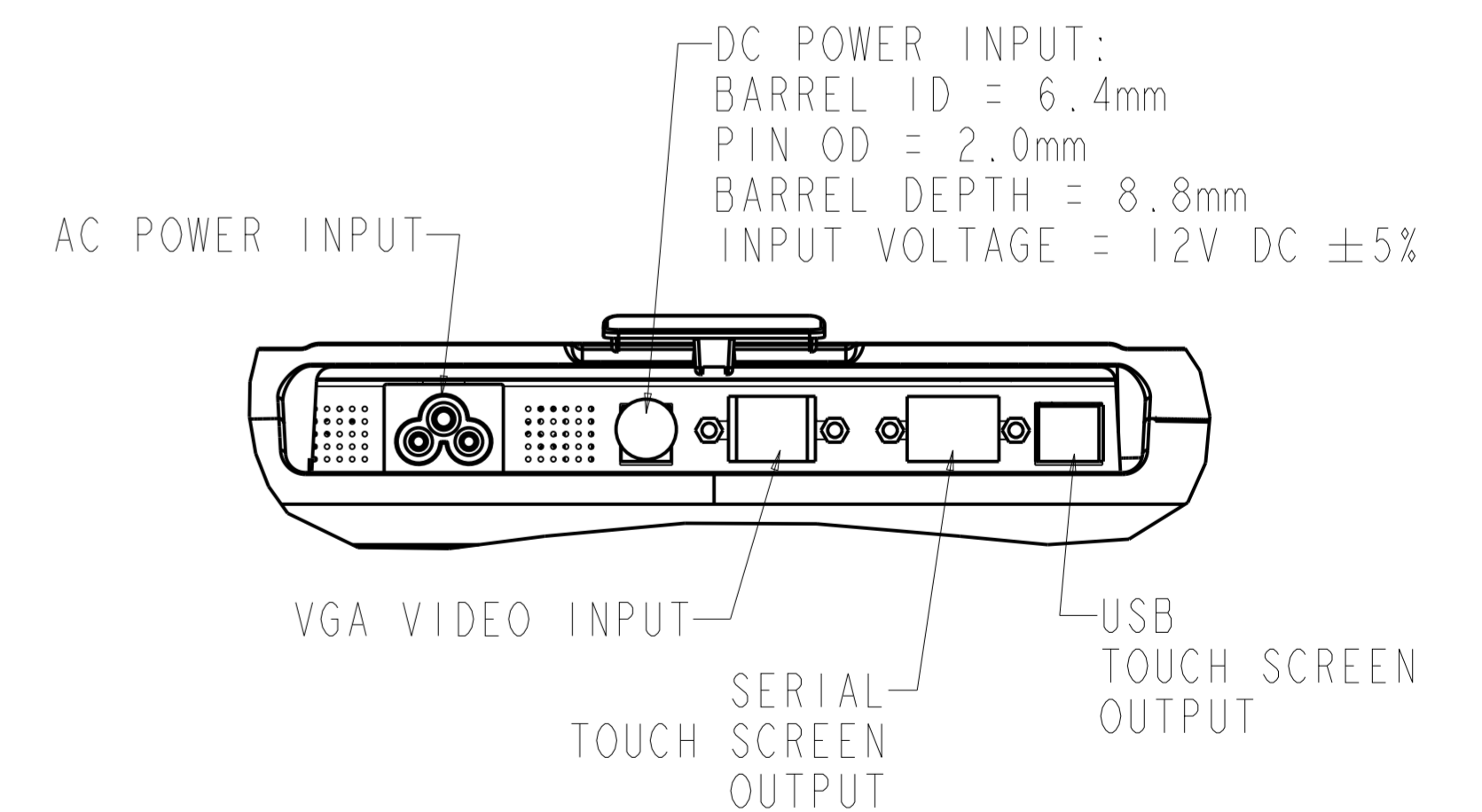
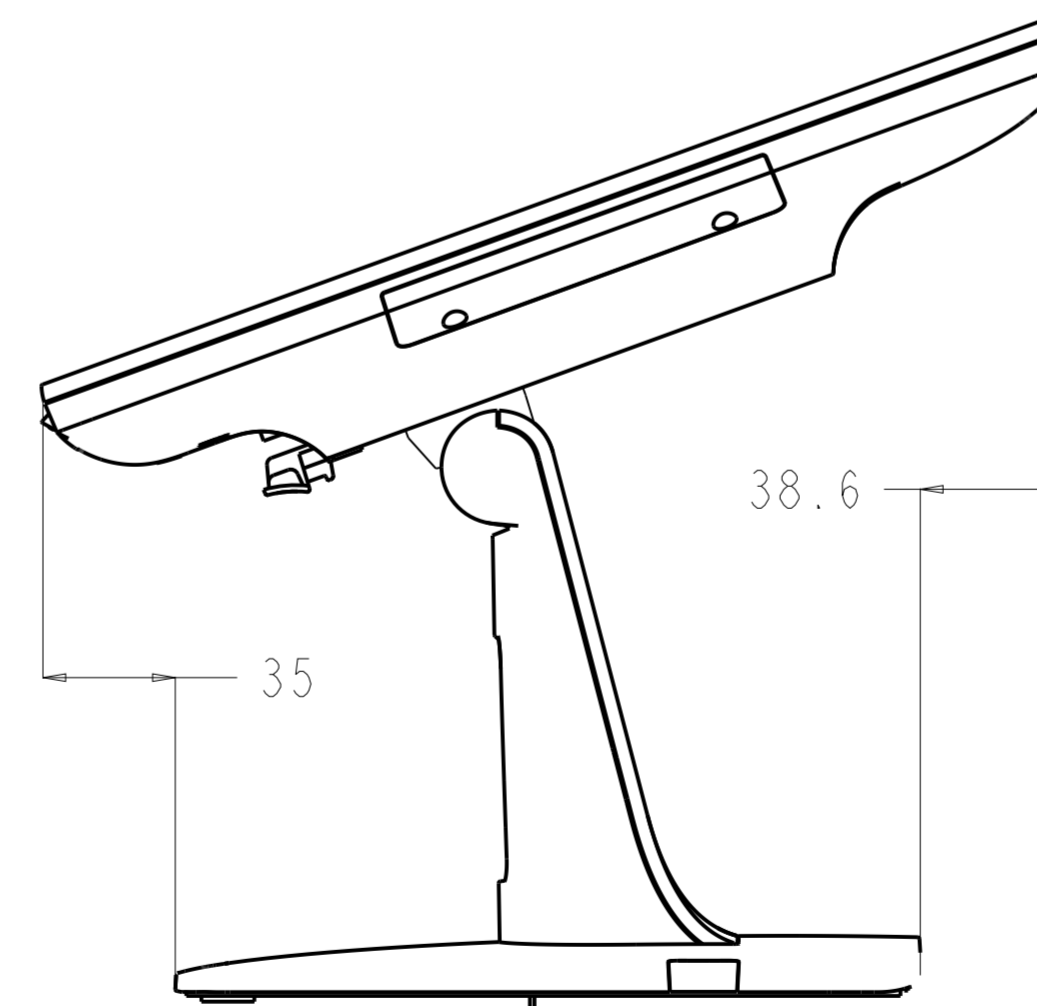
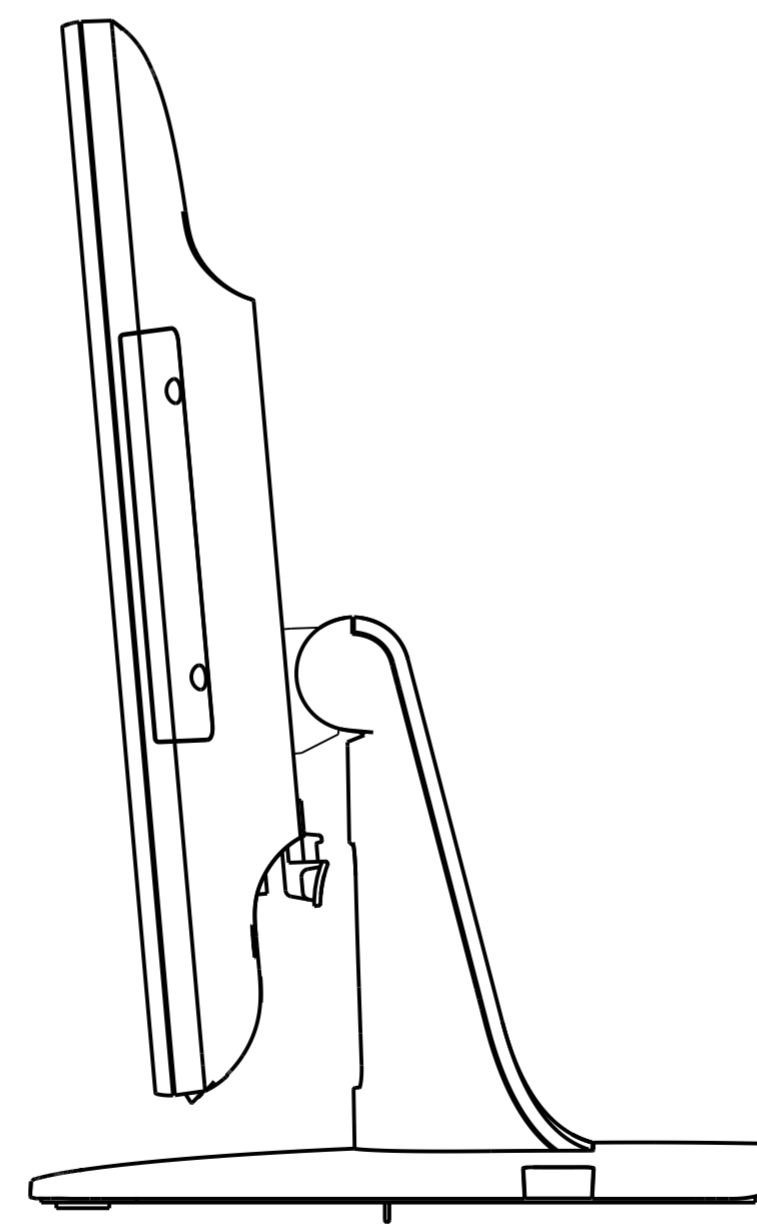


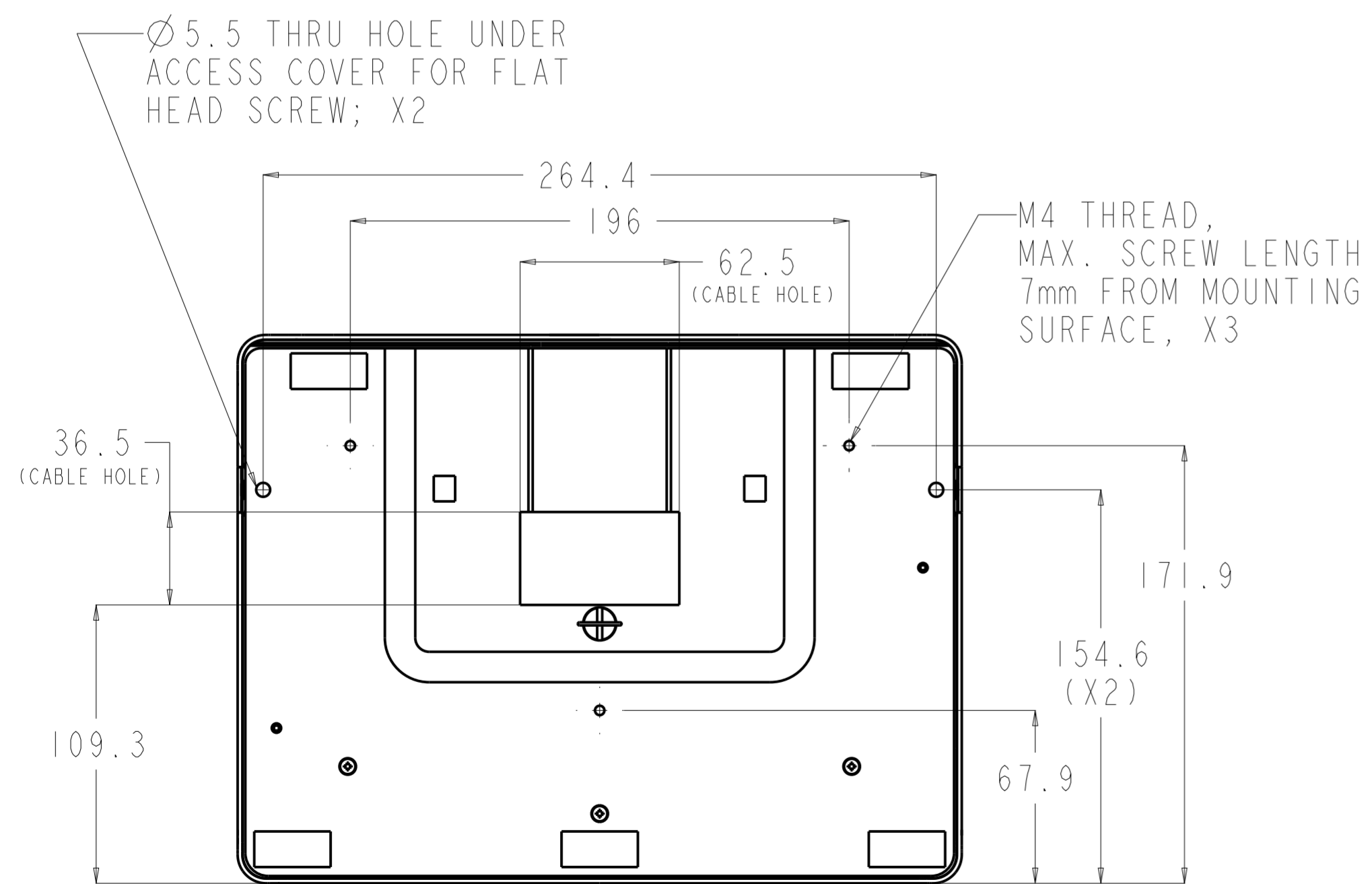
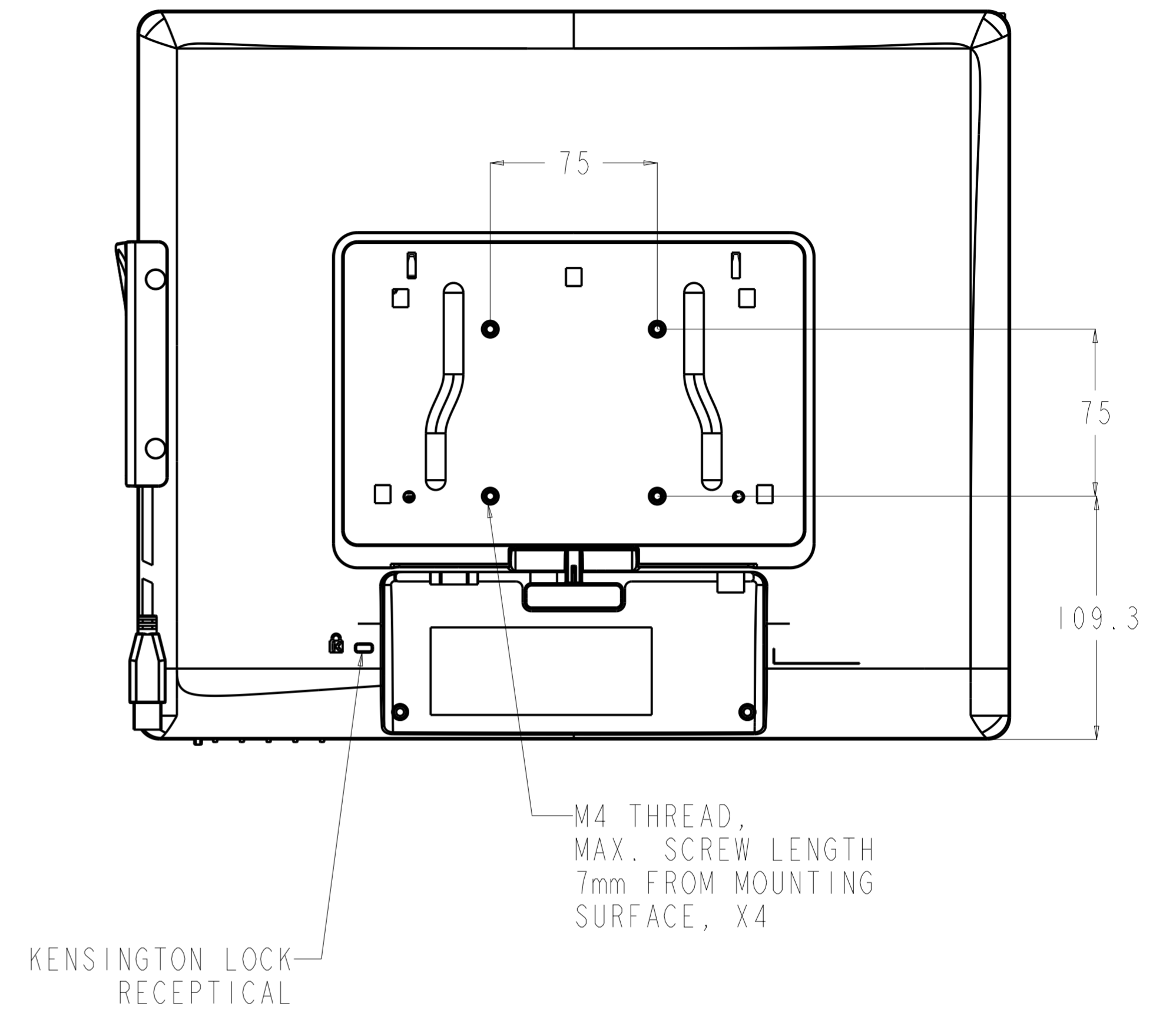
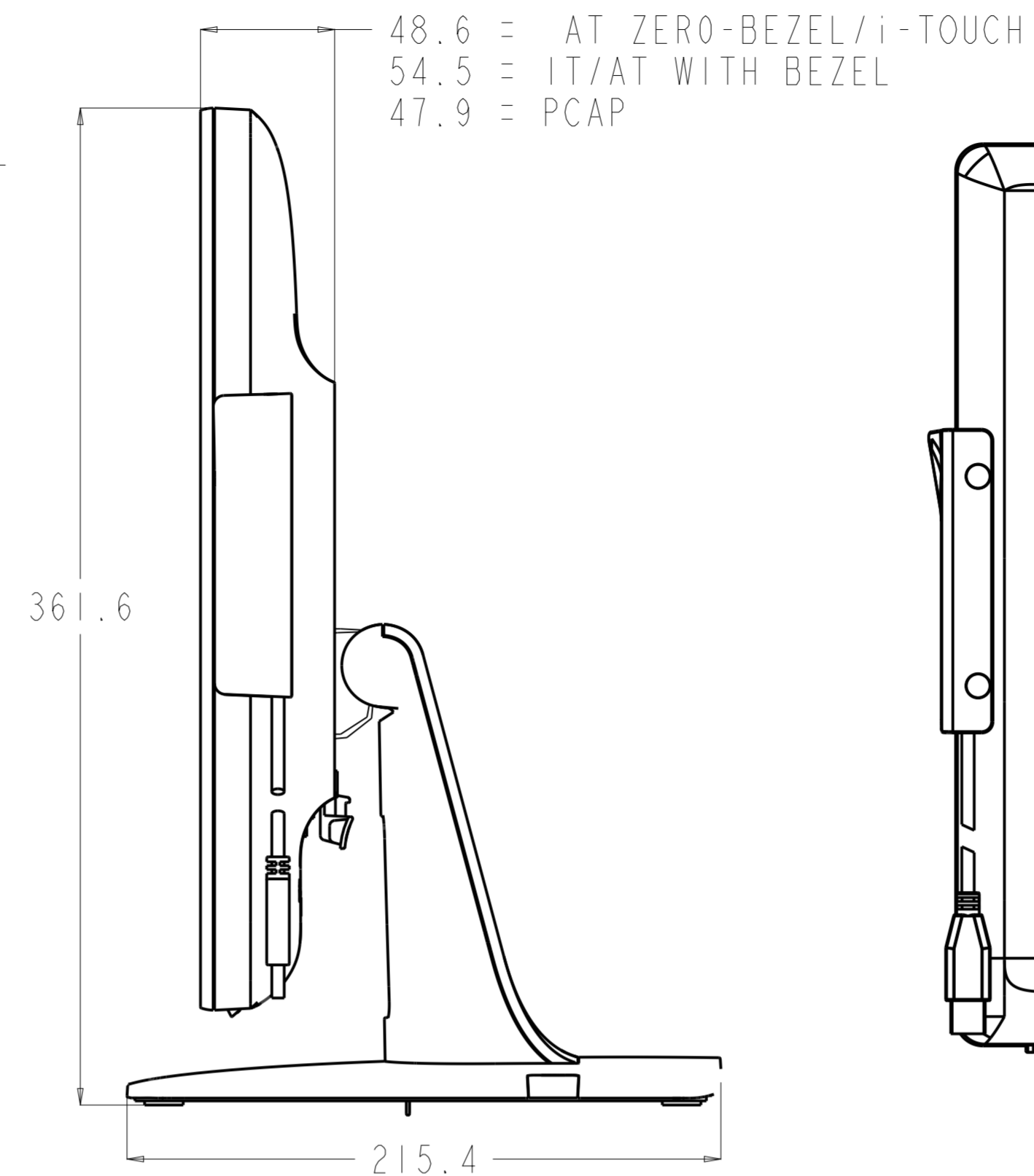
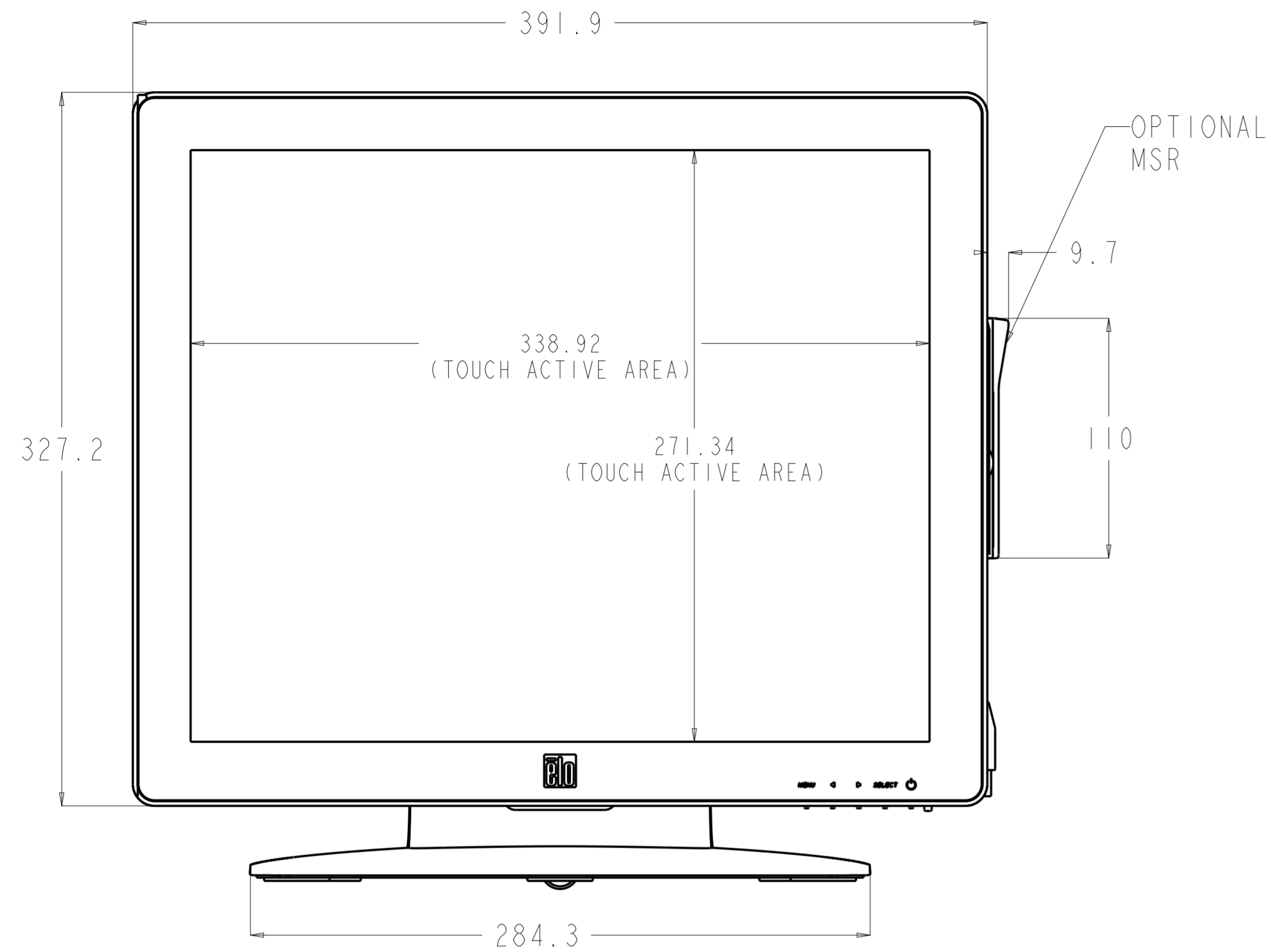
SEE PG. 2 FOR 1717  
 SEE PG. 3 FOR 0700 MOUNTING BRACKET,  
 VESA FILLER PLATE



1517 STAND BOTTOM VIEW



1517 / 1717 INPUTS / OUTPUTS



1715 STAND BOTOM VIEW

